

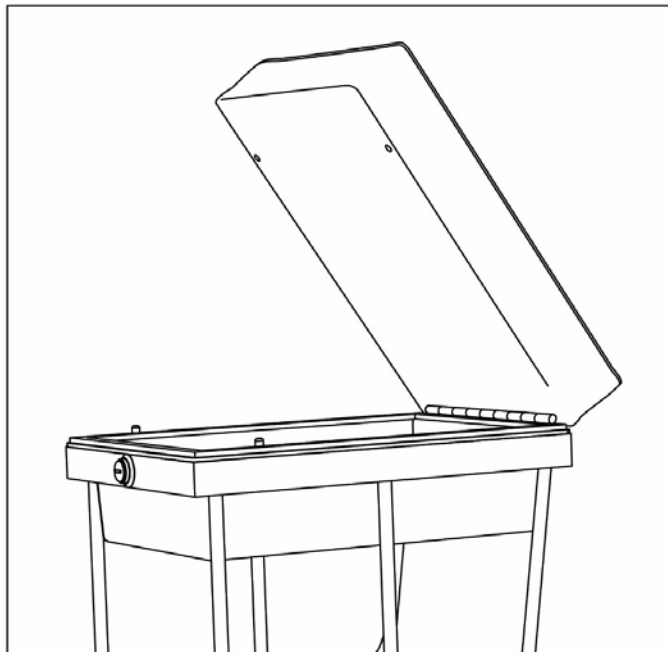


## Companion Bike Seat - Backrest Installation Guide

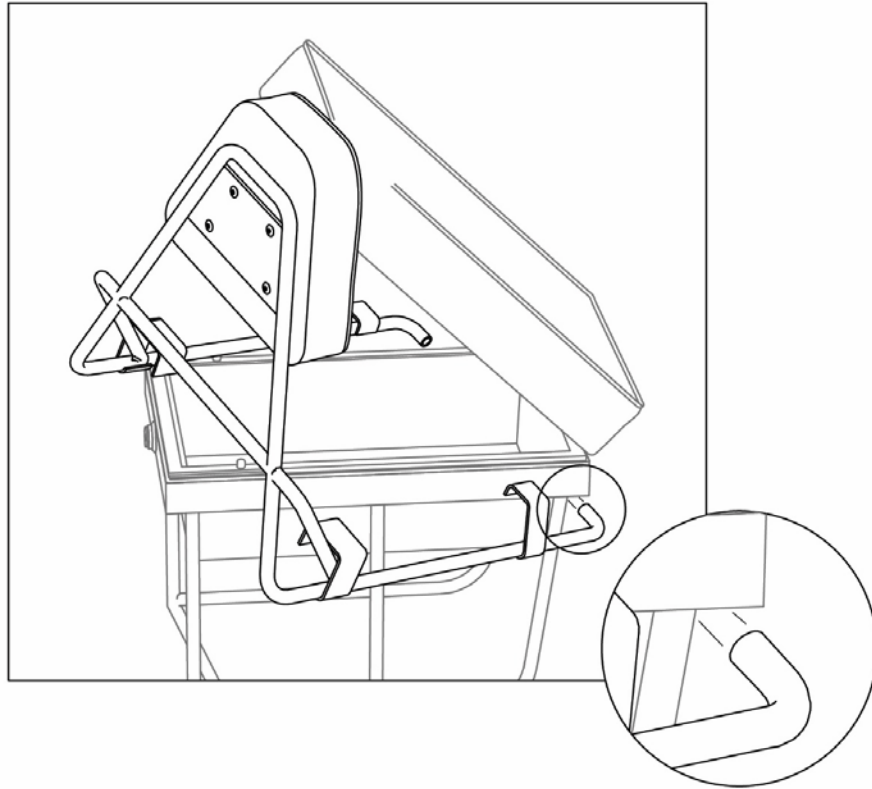
This manual describes how to install the backrest accessory onto your Companion Bike Seat. Installing and removing the backrest does not require the use of any tools, though you will need the key to the bike seat stash-box to open and close it.

### Installing Backrest:

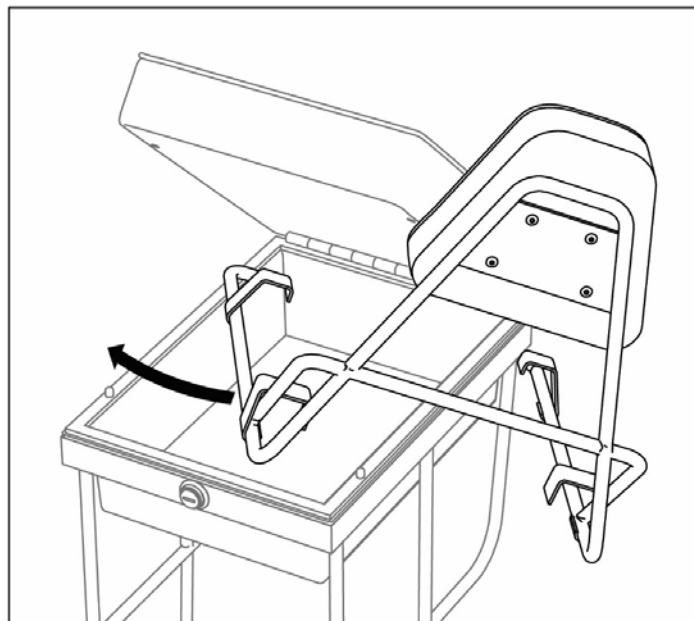
1. Unlock and open the stash-box of the bike seat.



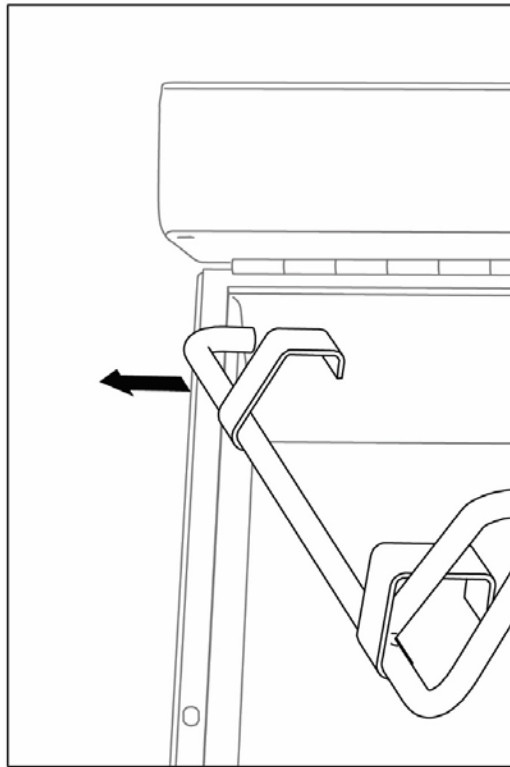
2. Hold the backrest at roughly 45° from the bike seat and feed the curved end of one of the arms of the backrest underneath the lip of the bike seat frame.



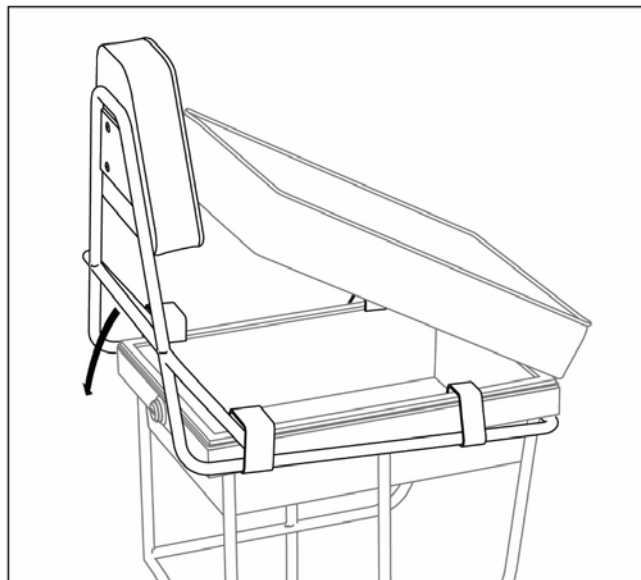
3. Keeping the backrest arm in place underneath the lip of the bike seat frame, rotate the backrest so that it's facing forward, with the support hook wrapping over the rim of the stash-box.



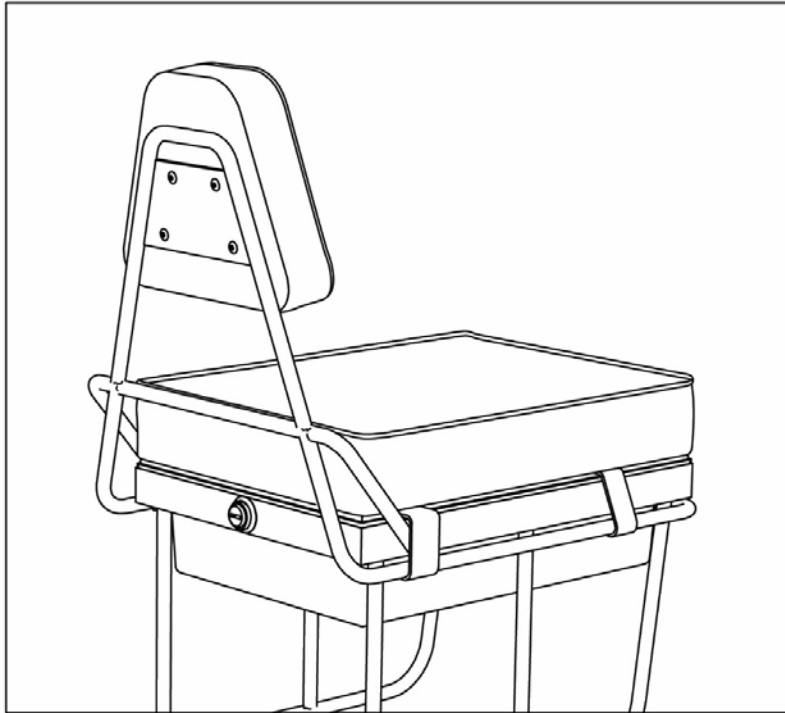
4. While rotating the backrest into position, gently pull outward on the second backrest arm so it can clear the bike seat frame, positioning the curved end of this arm underneath the lip of the bike seat frame as well.



5. Once the backrest arms are properly seated underneath the lip of the bike seat frame, lower the backrest down onto the rim of the stash-box. Make sure all the support hooks are sitting flush against the rim so the seat cushion can close completely.



6. Close the seat cushion and lock it. The backrest is now ready for a passenger!



**Removing Backrest:**

Simply reverse the process you used to install the backrest, and it will come right off.

NOTICE

Your Companion Bike Seat has been designed for general transportation and recreational use, but has not been designed to withstand abuse associated with mountain biking, stunting, jumping or off-road use.

Companion Bike Seats are intended to be ridden on paved roads only. The bicycle should not be taken off-road while there is a passenger on the Companion Bike Seat.

Companion Bike Seat is designed to allow for one passenger to ride (in addition to the rider) on a bicycle. It is not designed to safely allow multiple passengers to ride on the Companion Bike Seat.

It is the responsibility of the individual consumer purchaser to assure that all parts included are properly installed, all functional parts are adjusted properly, and subsequent normal maintenance services and adjustments necessary to ensure safe operation are properly made.

For more detailed warranty information, please visit our website at [www.thebikeseat.com/warranty.html](http://www.thebikeseat.com/warranty.html).

COMPANION BIKE SEAT, LLC WILL NOT BE LIABLE FOR ANY LOSS OR DAMAGE, INCLUDING ACCIDENTAL, INCIDENTAL OR CONSEQUENTIAL DAMAGES OF ANY KIND, WHETHER BASED ON CONTRACT, WARRANTY, NEGLIGENCE, PRODUCT LIABILITY, OR ANY OTHER THEORY, AND ARISING IN CONNECTION WITH THE SALE, USE, MISUSE, OR REPAIR OF THIS PRODUCT.

REMEMBER, ALWAYS WEAR A HELMET!

